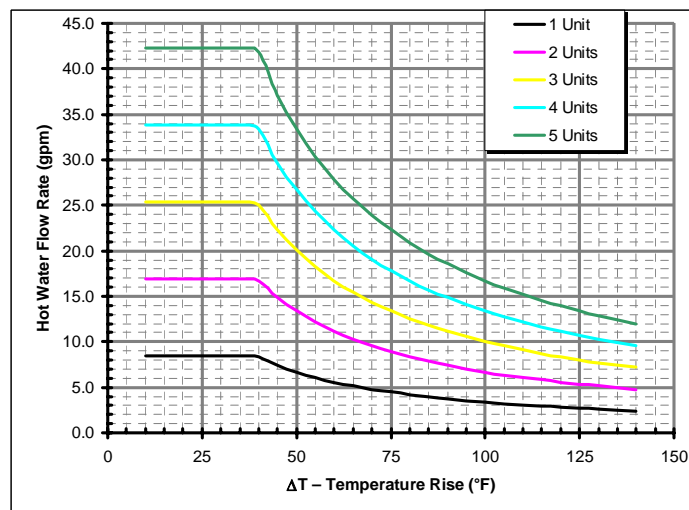


Type of Appliance	Temperature controlled, continuous flow, gas hot water system
Rinnai model number	REU-V2532W-US
Operation	With or without remote controls, mounted in kitchen, bathroom, etc.
Exhaust system	Outdoor forced combustion
Minimum/Maximum Gas Rate (Input)	15,000 - 199,000 BTU/h (Natural Gas or Propane)
Electrical	Appliance: AC 120 Volts - 60 Hz Remote Control: DC 12 Volts
Electrical Consumption	Normal 63 watts Standby 5.5 watts Anti-frost protection 84 watts
Ignition System	Direct electronic ignition
Hot Water Capacity	0.6 to 6.5 GPM (50° F rise) 0.6 to 8.5 GPM (35° F rise)
Temperature	98° - 140° F
Temperature (without remote)	120° F (factory default)
Approved Gas Types	Natural or Propane (ensure unit matches gas type)
Installation	Outdoors only
Energy Factor	Natural Gas: 0.82 Propane: 0.83
Thermal Efficiency	Natural Gas: 84% Propane: 85%
Service Connections	Gas supply: 3/4 inch MNPT Cold water inlet: 3/4 inch MNPT Hot water outlet: 3/4 inch MNPT
Water Flow Control	Water flow sensor, electronic water control and bypass control
Minimum/Maximum Water Supply Pressure	20 - 150 PSI (50 PSI or above is recommended for maximum flow)

FLOW TABLE

Water Flow Capacity Curves
(For 1 to 5 units manifolded in parallel)



Water Temperature Control

Remote Controls

Remote Control Cable

Safety Devices

Clearances from combustibles

Clearances from non-combustibles

Installations within RGB-25 Recess Box

Min. / Max. Gas Supply Pressure

Manifold Gas Pressure (inches W.C.)

NOx

Warranty

Simulation feed forward and feedback

MC-91-1US (included)

Deluxe controller: MC-100V-1US

Bathroom controller: BC-100V-1US

Wireless controller (with transceiver): MC-502RC-1US-MS (optional)

Non-polarized two-core cable

- Flame failure - Flame Rod
- Boiling protection
- Combustion fan rpm check
- Over current - glass fuse (3 amp)
- Remaining flame (OHS)
- Thermal fuse
- Automatic frost protection

- Top of heater - 12 inches
- Front of heater - 24 inches
- Sides of heater - 6 inches
- Back of heater - 0 inches
- Bottom of heater - 12 inches

- Top of heater - 2 inches
- Front of heater - 24 inches
- Sides of heater - 1/2 inches
- Back of heater - 0 inches
- Bottom of heater - 2 inches

Clearance to recess box top, bottom, back, and sides: 0 inches

Natural Gas: min 6" W.C. max 10" W.C.
 Propane Gas: min 10.5" W.C. max 13.5" W.C.

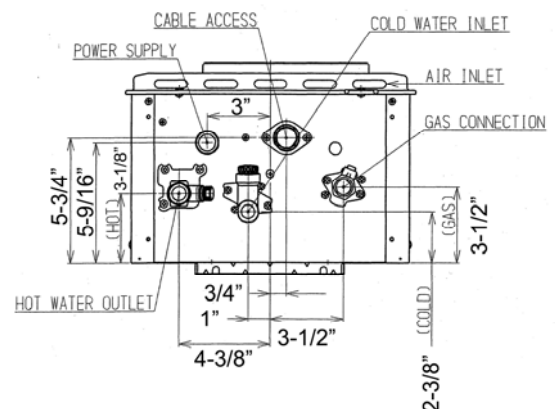
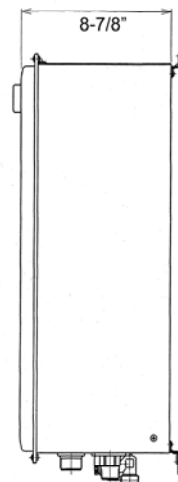
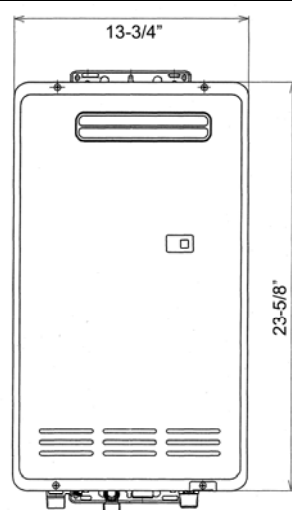
Natural Gas: high fire 3.4" W.C. low fire 0.56" W.C.
 Propane Gas: high fire 5.1" W.C. low fire 0.88" W.C.

Meets California and Texas NOx Emission Rules

Residential only; heat exchanger 10 years*; all other parts 5 years*; labor 1 year; (* 3 years if used as a circulating water heater within a circulation loop, where the water heater is in series with a circulation system and all circulating water flows through the water heater, and where on-demand recirculation is not incorporated)

Rinnai is continually updating and improving products; therefore, specifications are subject to change without prior notice. Local, state, provincial and federal codes must be adhered to prior to installation.

DIMENSIONS



WEIGHT: 46 LBS